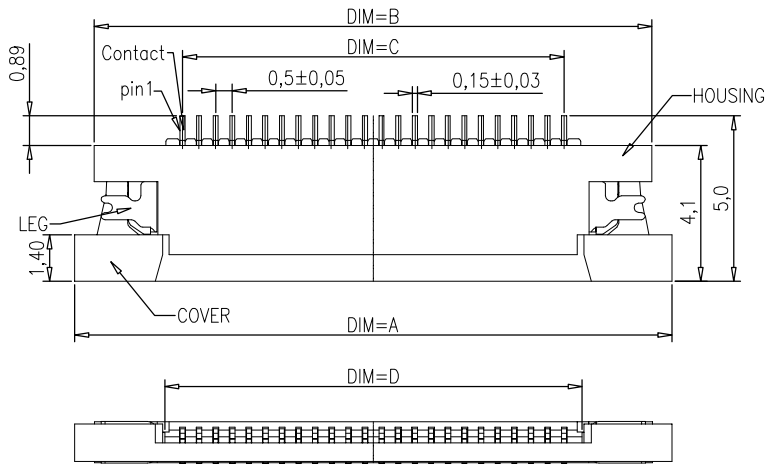
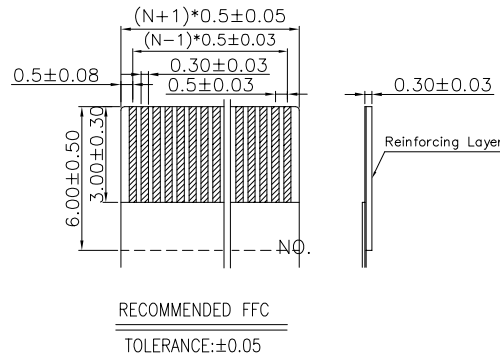
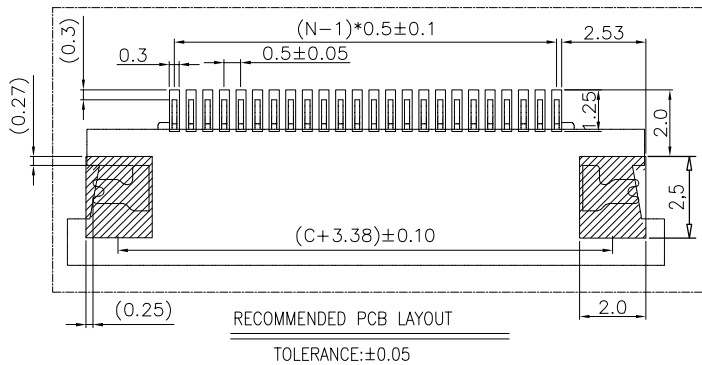
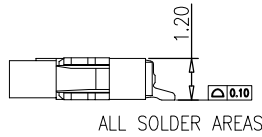
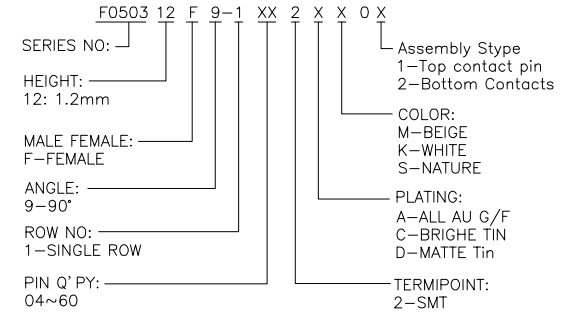


The product using material and processing must conform to the "WL-PZ-001" HSF technical standard control requirements

RoHS+HF



- NOTE:
- MATERIAL SPECIFICATION:
 - HOUSING: LCP,UL94V-0
 - CONTACTS: PHOSPHOR BRONZE
 - SOLDER TABS: BRASS
 - PLATING SPECIFICATION:
 - CONTACTS: TIN/GOLD FLASH PLATED OVER ALL.
 - SOLDER TABS: MATTE TIN FLASH PLATED 100-120U".
 - MECHANICAL PERFORMANCE:
 - RETENTIVITY FORCE: 0.03KGF/pin min
 - DURABILITY: 30 CYCLES.
 - ELECTRICAL PERFORMANCE:
 - CURRENT RATING: 0.4A
RATED VOLTAGE : 50V AC
 - CONTACT RESISTANCE: 30 mΩ MAX
 - INSULATION RESISTANCE: 500MΩ Min
 - DIELECTRIC WITHSTANDING : 500V AC
 - ENVIRONMENTAL PERFORMANCE:
 - OPERATING TEMPERATURE: -25°C~+85°C.
 - PACKAGE SPEC: REEL
 - P/N:



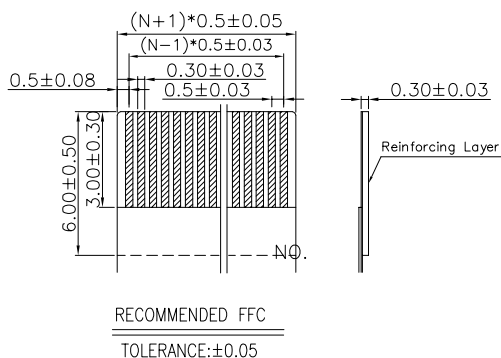
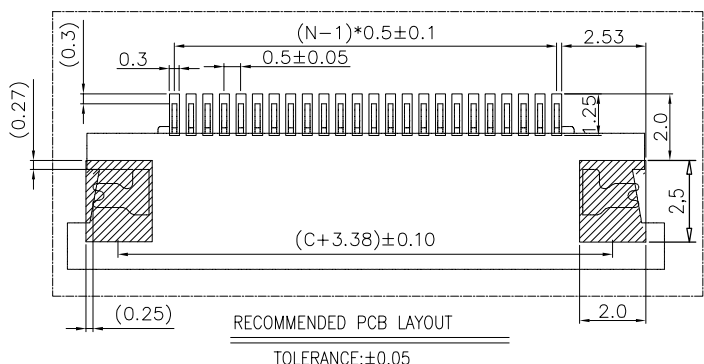
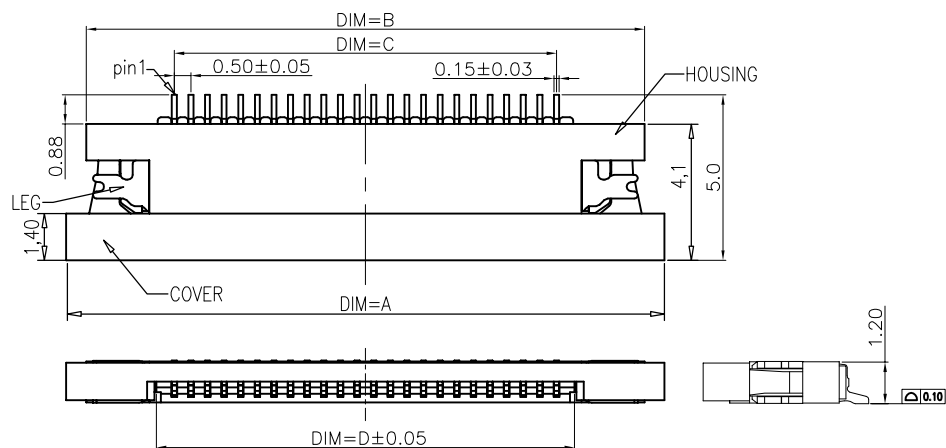
Circuit	Dimensions(mm)				Circuit	Dimensions(mm)			
	A	B	C	D		A	B	C	D
04	8.00	6.80	1.50	2.58	31	21.50	20.30	15.00	16.08
05	8.50	7.30	2.00	3.08	32	22.00	20.80	15.50	16.58
06	9.00	7.80	2.50	3.58	33	22.50	21.30	16.00	17.08
07	9.50	8.30	3.00	4.08	34	23.00	21.80	16.50	17.58
08	10.00	8.80	3.50	4.58	35	23.50	22.30	17.00	18.08
09	10.50	9.30	4.00	5.08	36	24.00	22.80	17.50	18.58
10	11.00	9.80	4.50	5.58	37	24.50	23.30	18.00	19.08
11	11.50	10.30	5.00	6.08	38	25.00	23.80	18.50	19.58
12	12.00	10.80	5.50	6.58	39	25.50	24.30	19.00	20.08
13	12.50	11.30	6.00	7.08	40	26.00	24.80	19.50	20.58
14	13.00	11.80	6.50	7.58	41	26.50	25.30	20.00	21.08
15	13.50	12.30	7.00	8.08	42	27.00	25.80	20.50	21.58
16	14.00	12.80	7.50	8.58	43	27.50	26.30	21.00	22.08
17	14.50	13.30	8.00	9.08	44	28.00	26.80	21.50	22.58
18	15.00	13.80	8.50	9.58	45	28.50	27.30	22.00	23.08
19	15.50	14.30	9.00	10.08	50	31.00	29.80	24.50	25.58
20	16.00	14.80	9.50	10.58	51	31.50	30.30	25.00	26.08
21	16.50	15.30	10.00	11.08	52	32.00	30.80	25.50	26.58
22	17.00	15.80	10.50	11.58	53	32.50	31.30	26.00	27.08
23	17.50	16.30	11.00	12.08	54	33.00	31.80	26.50	27.58
24	18.00	16.80	11.50	12.58	55	33.50	32.30	27.00	28.08
25	18.50	17.30	12.00	13.08	56	34.00	32.80	27.50	28.58
26	19.00	17.80	12.50	13.58	57	34.50	33.30	28.00	29.08
27	19.50	18.30	13.00	14.08	58	35.00	33.80	28.50	29.58
28	20.00	18.80	13.50	14.58	59	35.50	34.30	29.00	30.08
29	20.50	19.30	14.00	15.08	60	36.00	34.80	29.50	30.58
30	21.00	19.80	14.50	15.58					

	COMPONENTS	MATERIALS	COLOR/SPECIFICATION	QUANTITY
1	HOUSING	THERMOPLASTIC	NATURAL UL94V-0	1 PCS
2	COVER	THERMOPLASTIC	BLACK UL94V-0	1 PCS
3	CONTACT	PHOSPHOR BRONZE	T=0.15mm PLATING	POSITIONS
4	STATOR	BRASS	T=0.15mm PLATING	2 PCS

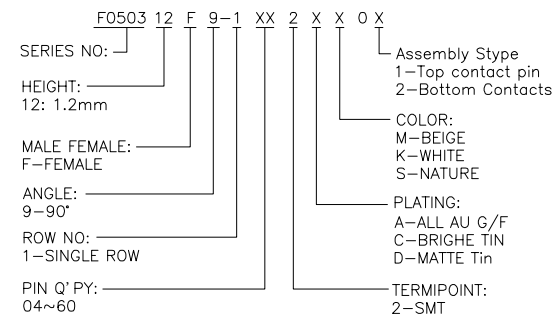
REV.	REVISION RECORD	DATE	GENERAL TOLERANCES		SCALE:	NAME	DATE	PART.NO:	DWG.NO:		
AO	NEW RELEASE	22.04.13	LINEAR	ANGLES	1:1	Wang_jr	22.04.13				F050312F9-1XX2XX0X
			0.0±0.35	X'REF±6°	APPROVED	Han_Gao	22.04.13	TITLE: Pitch 0.50mm H1.2mm卧贴抽屜式上接 FPC			
			0.00±0.25	X'±3°	DESIGNER	LanXuan_Hou	22.04.13				
			UNIT:mm	X'X' ±2°	DRAWN					REV: A0	SHEET: 1/3
			SIZE: A4	0.000±0.10							

The product using material and processing must conform to the "WL-PZ-001" HSF technical standard requirements

RoHS+HF



- NOTE:
- MATERIAL SPECIFICATION:
 - HOUSING: LCP, UL94V-0
 - CONTACTS: PHOSPHOR BRONZE
 - SOLDER TABS: BRASS
 - PLATING SPECIFICATION:
 - CONTACTS:
 - TIN/GOLD FLASH PLATED OVER ALL.
 - SOLDER TABS:
 - MATTE TIN FLASH PLATED 100-120U".
 - MECHANICAL PERFORMANCE:
 - RETENTIVITY FORCE: 0.03KGF/pin min
 - DURABILITY: 30 CYCLES.
 - ELECTRICAL PERFORMANCE:
 - CURRENT RATING: 0.4A
RATED VOLTAGE : 50V AC
 - CONTACT RESISTANCE: 30 mΩ MAX
 - INSULATION RESISTANCE: 500MΩ Min
 - DIELECTRIC WITHSTANDING : 500V AC
 - ENVIRONMENTAL PERFORMANCE:
 - OPERATING TEMPERATURE: -25°C~+85°C.
 - PACKAGE SPEC: REEL
 - P/N:



Circuit	Dimensions(mm)				Circuit	Dimensions(mm)			
	A	B	C	D		A	B	C	D
04	8.00	6.80	1.50	2.58	31	21.50	20.30	15.00	16.08
05	8.50	7.30	2.00	3.08	32	22.00	20.80	15.50	16.58
06	9.00	7.80	2.50	3.58	33	22.50	21.30	16.00	17.08
07	9.50	8.30	3.00	4.08	34	23.00	21.80	16.50	17.58
08	10.00	8.80	3.50	4.58	35	23.50	22.30	17.00	18.08
09	10.50	9.30	4.00	5.08	36	24.00	22.80	17.50	18.58
10	11.00	9.80	4.50	5.58	37	24.50	23.30	18.00	19.08
11	11.50	10.30	5.00	6.08	38	25.00	23.80	18.50	19.58
12	12.00	10.80	5.50	6.58	39	25.50	24.30	19.00	20.08
13	12.50	11.30	6.00	7.08	40	26.00	24.80	19.50	20.58
14	13.00	11.80	6.50	7.58	41	26.50	25.30	20.00	21.08
15	13.50	12.30	7.00	8.08	42	27.00	25.80	20.50	21.58
16	14.00	12.80	7.50	8.58	43	27.50	26.30	21.00	22.08
17	14.50	13.30	8.00	9.08	44	28.00	26.80	21.50	22.58
18	15.00	13.80	8.50	9.58	45	28.50	27.30	22.00	23.08
19	15.50	14.30	9.00	10.08	50	31.00	29.80	24.50	25.58
20	16.00	14.80	9.50	10.58	51	31.50	30.30	25.00	26.08
21	16.50	15.30	10.00	11.08	52	32.00	30.80	25.50	26.58
22	17.00	15.80	10.50	11.58	53	32.50	31.30	26.00	27.08
23	17.50	16.30	11.00	12.08	54	33.00	31.80	26.50	27.58
24	18.00	16.80	11.50	12.58	55	33.50	32.30	27.00	28.08
25	18.50	17.30	12.00	13.08	56	34.00	32.80	27.50	28.58
26	19.00	17.80	12.50	13.58	57	34.50	33.30	28.00	29.08
27	19.50	18.30	13.00	14.08	58	35.00	33.80	28.50	29.58
28	20.00	18.80	13.50	14.58	59	35.50	34.30	29.00	30.08
29	20.50	19.30	14.00	15.08	60	36.00	34.80	29.50	30.58
30	21.00	19.80	14.50	15.58					

	COMPONENTS	MATERIALS	COLOR/SPECIFICATION	QUANTITY
1	HOUSING	THERMOPLASTIC	NATURAL UL94V-0	1 PCS
2	COVER	THERMOPLASTIC	BLACK UL94V-0	1 PCS
3	CONTACT	PHOSPHOR BRONZE	T=0.15mm PLATING	POSITIONS
4	STATOR	BRASS	T=0.15mm PLATING	2 PCS

REV.	REVISION RECORD	DATE	UNIT:mm	GENERAL TOLERANCES		SCALE:	NAME	DATE	PART.NO:	DWG.NO:	TITLE:	REV: A0	SHEET: 2/3
AO	NEW RELEASE	22.04.13		LINEAR	ANGLES	1:1							
				0.00±0.25	X'±3°	APPROVED	Wang_jr	22.04.13	F050312F9-1XX2XX0X	ENDE05	Pitch 0.50mm H1.2mm卧贴抽屉式下接 FPC		
			SIZE: A4	0.000±0.10	X'X' ±2°	DESIGNER	Han_Gao	22.04.13					
						DRAWN	LanXuan_Hou	22.04.13					

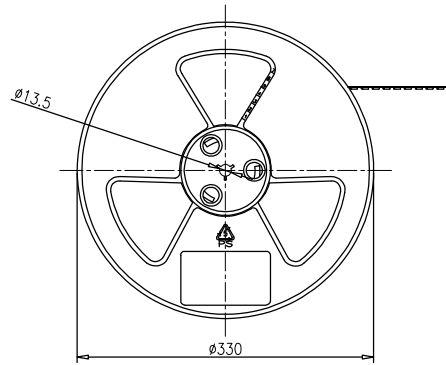


WanLian Teconology Co., Ltd

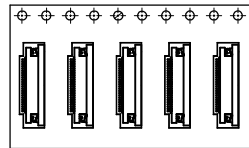
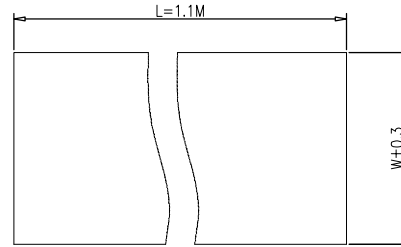
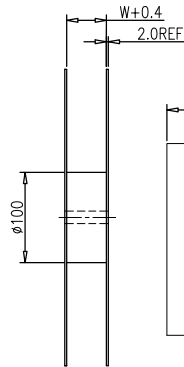
The product using material and processing must conform to the "WL-PZ-001"HSF technical standard control requirements

RoHS+HF

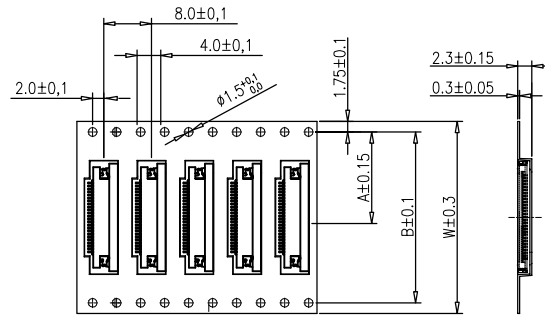
PULL OUT DIRECTION →



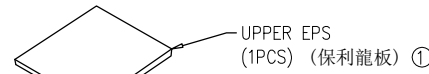
SCALE 3:20



PULL OUT DIRECTION →

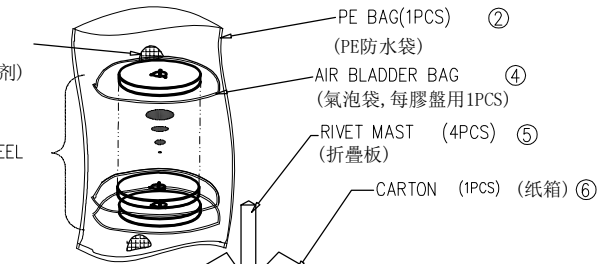


PULL OUT DIRECTION →



③ DESICCANT(2PCS)
(3G/PCS) (干燥剂)

NUMBER REEL
(盤數)



GP LABEL ⑦
(環保標籤) (1PCS)

LABLE (標籤)
(1PCS) ⑧

DOWN EPS
(1PCS) (下保利龍板) ⑨

NOTES:

- 1.CARTON SPEC.: 350*350*340mm(OUT DIM), PAPER THICKNESS=5mm
- 2.UPPER AND DOWN EPS: 340*340mm THICKNESS=8mm.
- 3.THE COVER TAPE PEELING FORCE: 30~100g.
- 4.PER REEL CASED ONE AIR BLADDER BAG.
- 5.CARRIER TAPE COLIR:BLACK.
- 6.CONNENGE ANG ENDED 200mm(200PCS) DON'T PUT IN PRODUCE.

Circuit	W	A	B	A0	B0	PCS /REEL	REEL/CARTON	SUM(PCS)
4PIN~8PIN	16	7.5	—	6.4+ (n-4)*0.5	5.5	4000	14	56000
9PIN~24PIN	24	11.5	—		5.5	4000	10	40000
25PIN~36PIN	32	14.2	28.4	(n=pin no)	5.5	4000	8	32000
37PIN~55PIN	44	20.2	40.4		5.5	4000	6	24000
56PIN~60PIN	56	26.2	52.4		5.5	4000	5	20000

REV.	REVISION RECORD	DATE	UNIT:mm	GENERAL TOLERANCES		SCALE: 1:1	NAME	DATE	PART.NO:	DWG.NO:	REV: A0	SHEET: 3/3
AO	NEW RELEASE	22.04.13		LINEAR	ANGLES	APPROVED	Wang_jr	22.04.13	F050312F9-1XX2XX0X	ENDE05		
			0.00±0.25	X'±3'	DESIGNER	Han_Gao	22.04.13	TITLE:				
			SIZE: A4	0.000±0.10	X'X' ±2'	DRAWN	LanXuan_Hou	22.04.13	Pitch 0.50mm H1.2mm卧贴抽屜式上/下接 FPC			



WanLian Teconology Co., Ltd